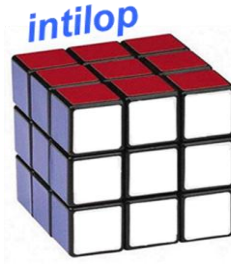


10 G Bit TCP Offload Engine (TOE) - SX- Fully Integrated FPGA board



Intilop Corporation
4800 Great America Pkwy
Ste-231
Santa Clara, CA 95054
Ph: 408-496-0333
Fax:408-496-0444
www.Intilop.com

Ultra-High Performance System Solution

Fully integrated 10G bit PHY+MAC+TOE

On Select High End FPGA boards

SB 10G TOE (Ultra-Low Latency SXTOE-Board)

Top Level Product Specifications

Intilop does not assume any liability arising out of the application or use of any product described or shown herein; nor does it convey any license under its patents, copyrights, or design work rights or any rights of others. Intilop reserves the right to make changes, at any time, in order to improve functionality, performance, supportability and reliability of this product. Intilop will not assume responsibility for the use of any code described herein other than the code entirely embodied in its own products or developed by intilop under a legally binding contract. Intilop provides design, code, or information shown or described herein "as is." By providing the design, code, or information as one possible implementation of a feature, application or standard. End users are responsible for obtaining any rights they may require for their implementation. Intilop expressly disclaims any warranty whatsoever with respect to the adequacy of any such implementation, including but not limited to any warranties or representations that the implementation is free from claims of infringement, as well as any implied warranties of merchantability or fitness for a particular purpose.

Intilop's products are not intended for use in life support appliances, devices, or systems. Use of Intilop's product in such applications without the written consent of the appropriate executive of Intilop is prohibited.

10 G Bit TCP Offload Engine (TOE) - SX- Fully Integrated FPGA board

Most Reliable, Easiest and Fastest Time to Market cycle

System board with Fully Integrated Complex Mega-IP Cores, ported and network tested, running on Xilinx/Altera FPGAs. System provides ultra-high performance NIC functionality. Intilop employs best of the breed FPGA design, simulation and implementation tools and practices to accomplish this.

Board incorporates Fourth Generation TOE with ‘Ultra-Low Latency’ and Ultra-High Performance with highest TCP bandwidth in Full Duplex. Network Tested and mature TCP protocol offload implementation.

Board Key Features:

- Fully Integrated and Network tested System Solution running on Select Altera/Xilinx FPGA boards, providing; SXTOE+MAC+PHY+Host_I/F SoC IP bundle.
- Fastest integration cycle and time to market; Just drop in your logic.
- Ultra-Low Latency through 10 G TOE = less than 100 ns
- Ultra-High Throughput: Receives and Sends sustained large TCP payloads, depending upon remote server/client’s capability.
- Benchmark Latency and Performance results for the full system available upon request.

Time to Market with minimal Risk:

SB 10G TOE is the only board that integrates a Full 10G TCP Offload Engine, Ethernet MAC, PHY-Layers, Host_CPU_I/F on Select Xilinx/Altera FPGA boards so customers can easily deploy their own differentiated design on an ultra-high performance FPGA board running their application. This allows them to save months of valuable engineering time and resources in porting complex set of IPs to a FPGA platform, instead they can simply concentrate on their own design for ultra-fast system implementation and time to market with minimum risk.

Intilop offers a wide range of Systems with Pre-integrated 10G and 1G TOE/UOE hardware cores for various end user applications. They include systems with Multiple MAC+TOE, PCIe –Gen 2 or Gen 1 in x1/4/8 configurations, QDRx interfaces, DDRx interfaces and more. The standard System board features PCIe/DMA software driver and API that allows easy integration with customer’s applications running in Linux/host environment. This can also save them months of development time allowing them to concentrate on their own software application development.

SB 10G TOE is the only board that implements a full 10G bit PHY+MAC+TCP Full Offload Stack in Handcrafted, Ultra-Low latency and High Performance, flexible and scalable architecture which can also be easily customized for end product differentiation.

10 G Bit TCP Offload Engine (TOE) - SX- Fully Integrated FPGA board

***SB 10G TOE* is flexible and customizable for layer-3, layer 4-7 network infrastructure and network security systems applications. It is recommended for use in, among others, high performance Cloud Servers, Web Servers, Application servers, NICs, SAN/NAS, Network Security Appliances and data center equipment design applications. System contains Pre integrated and tested key IP building blocks for easy customer logic integration and deployment.**

Ultimate Performance Boost for your Network Bandwidth & ROI:

***SB 10G TOE* can process TCP/IP sessions as client/server in mixed session mode for Network equipment and in-line network security appliances, simultaneously, at 10-G-bit line rate. This relieves the host CPU from costly TCP/IP software related session setup/tear down, data copying and maintenance tasks thereby delivering 10x to 20x TCP/IP network performance improvement when compared with TCP/IP software.**

The 10 G Bit TOE is based upon the proven and mature patent pending TOE architecture from Intilop corporation.

The same architecture is scalable to 40 G bit.

System design versions-

- **Generic TOE for Network infrastructure design applications:**

- a) 16 Session with Payload FIFO of 8/16/32 K bytes
- b) 32 Session with Payload FIFO of 8/16/32 K bytes
- c) 64 Session with scalable Payload FIFO of 8/16/32 K bytes.
- d) 128 Session with scalable Payload FIFO of 8/16/32 K bytes
- e) 128+ Sessions depend upon on-chip BRAM
- f) Optional Very high performance DMA blocks also available to integrate with high performance PCIe Gen 2 interface.
- g) PCIe/Driver for Linux available as option

- **TOE with enhanced Security features (available upon request)**

- a) All of the options available in Generic TOE plus;
 - i. Protocol filter block can selectively direct traffic for any known application level protocol to any selected MAC port; e.g. all IM/chat traffic, SMTP (email), Web(http) traffic, VoIP etc. can be filtered and directed to selected ports.
 - ii. IP and Port number filter block
 - iii. Specific IP and Port Filtered traffic routed to optional selected MAC interface/s or PCIe interface or Memory interface directly at line rate without CPU involvement.
 - iv. MAC Filter block, traffic routed to any of the selected interfaces

10 G Bit TCP Offload Engine (TOE) - SX- Fully Integrated FPGA board

Benefits of Intilop TOE:

Featuring APIs at different levels the General TOE allows the application developer to easily migrate from software, to TOE hardware, to custom hardware, to achieve high performance.

Latency:

Board Latency Comparisons	Traditional NICs running TCP Software	Intilop H/W Acceleration
Wire to User_FIFO	10 – 20 us (in NICs with TOE)	400 – 500 ns (incl PHY+MAC+TOE)
Wire to Host Memory	30 – 40 us	1.5 – 6 us (Host+driver dependent)

- 20G Ethernet Throughput.
- Scalable solution; 40G

APIs

Network applications use the Socket API. Typically OS implements the Socket API with a TCP/IP software stack. However, the Intilop TOE implements a standard Hardware API that bypasses the Kernel, places the user_payload data directly in user_space allowing next higher level applications to fully take advantage of TOEs full hardware Offload.

- Hardware API: Enables dedicated processing in the FPGA for application specific acceleration
 - Ideal for Very high performance specialized, differentiable ASICs or FPGAs for Network security or Network infrastructure applications
 - Fully verified using comprehensive verification methodology for ASIC ports and Network system tested core.
 - Smallest logic foot print; less than 30,000 Xilinx slices, Altera ALMs or 250,000 ASIC gates + on-chip memory
 - Fully integrated 10 G bit high performance Ethernet MAC. IEEE 802.3z compliant.
 - Scalable MAC Rx FIFOs and Tx FIFOs make it ideal for optimizing system performance.
 - Hardware implementation of TCP/IP stacks' control plane and data plane.
 - Hardware implementation of ARP protocol processing.
 - Extended ARP table creation, deletion management (optional)
 - Adheres to RFCs; 793, 1500, 1700, 813, 791, 2001

10 G Bit TCP Offload Engine (TOE) - SX- Fully Integrated FPGA board

- Hardware implementation of ICMP or Ping processing.
- ‘Sliding Window’. Similar mechanism implemented in hardware allowing Flow Control
- ‘Slow start’ transfer control in hardware (opt)
- Customizable for IP-protocol only.
- Non-TCP Bypass mode lets all Non TCP/IP related traffic go directly to host interface via User_FIFO for TCP/IP software to handle
 - Can be deployed behind a gateway which will respond to Gateway-IP request as opposed to ARP request
 - On-chip DDR or SSRAM memory controller which can address from 4K Bytes to 4 MB Bytes on chip or 256 MB off chip memories (optional)
 - Simple User Side interface for easy hardware integration or a little more complicated for more power full and controlled ‘Streaming’ data transfers.
- Many trade-offs for some functions performed in hardware or software
- Configurable Packet buffers, session table buffers On-chip or Off-chip memories, attached DDR I/II interface. Depending on system, performance, ASIC/FPGA size requirements-> **User Customizable, (optional)**
- Interfaces directly to XGMII, 10 G Bit serial interfaces
- Customizable to handle jumbo frames
- Integrated PLB interface (Xilinx) or Altera PLB. AXI bus interface available
- Integrated AMBA 2.0 interface or MIPS CPU bus for Local Processor control. (opt)
- User programmable/prioritize-able interrupts
- Performs connection/session management
- Monitors, Stores, Maintains and processes up to 1024 live TCP sessions. Customizable to implement more, depending upon on-chip memory availability and other FPGA limitations.
- Extendable to 4K TCP sessions. Internal Memory dependent.
- Wire-speed 20-Gbps Ethernet and TCP performance in full duplex
- Multiple TOEs can process up to 4K connections per second
- TCP + IP check sum generation and check performed in hardware in less than 6 clks (30 ns at 200 MHz) vs 1-2 us by typical software TCP-stack
- Connection Set up, tear down/termination and TCP data transfer without CPU involvement.
- User programmable Session table parameters
- Dedicated set of hardware Timers for each TCP/IP session (opt) or customizable for

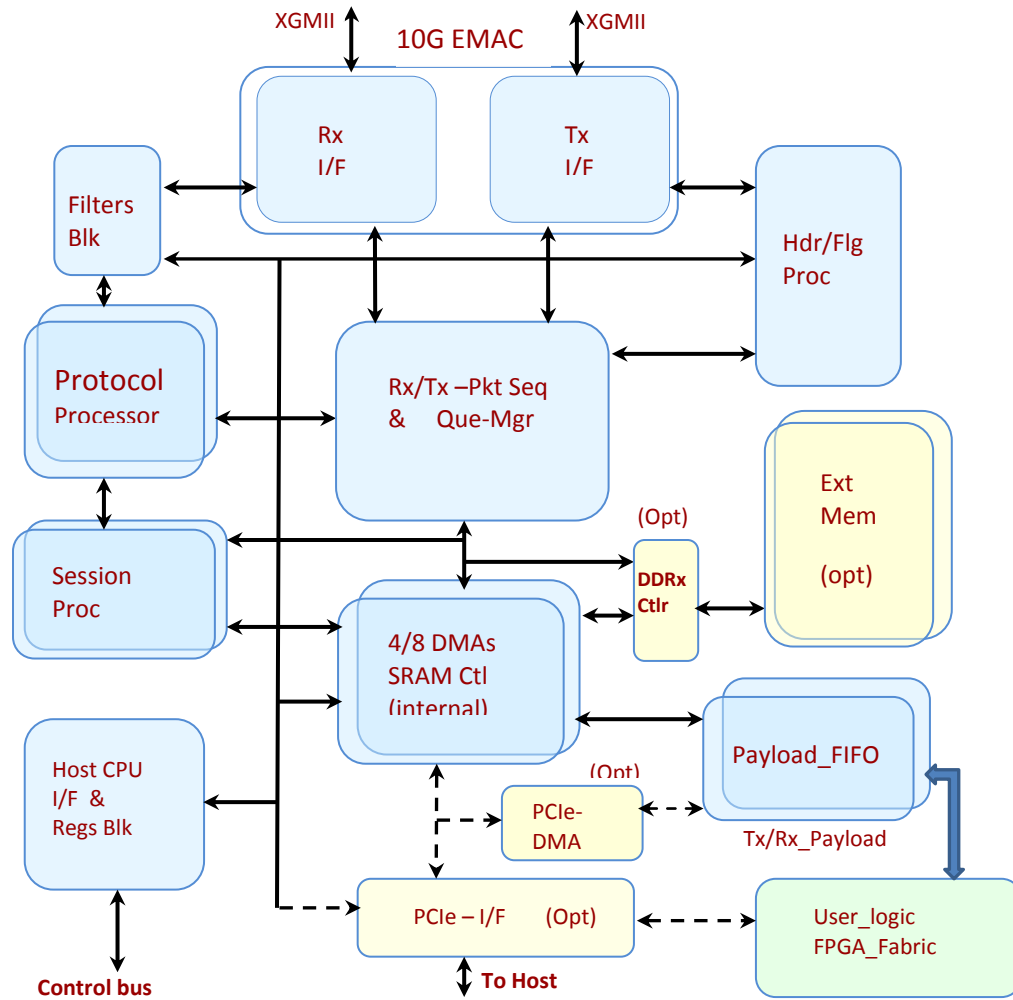
10 G Bit TCP Offload Engine (TOE) - SX- Fully Integrated FPGA board

sharing one set of common timers for all stale sessions.

- Multiple 'slot storage' for fragmented packets. More slots allocated when more On-chip Memory available. Self-checking available memory logic. (optional)
- Out of sequence packet detection/storage and Reassembly/Segmentation (optional)
- Direct Data placement in Applications buffer at full wire speed without CPU-> reduces CPU's buffer copy time and utilization by 95%
- Support VLAN mode (optional)
- Easily customizable for filtering various IP and TCP traffic Protocols, directed towards any port or IP (Ideal for security appliances)

- Implements Full TCP/IP Offload. No CPU involvement at any TCP stage
- Future Proof- Flexible implementation of TCP Offload
- Fully integrated and FPGA ported PHY+MAC+TOE+PCIe/DMA System (opt)
- Basic mini API available for easy integration with Linux/windows. Others OSs/CPU's also available
- Fully integrate System with PCIe/DMA and driver (optional)
- EMAC+TOE+Host_Interface as one bundle SoC.
- Standard Simple Streaming Data interface at Rx/Tx User_FIFOs
- Future TCP Specs updates easily adaptable

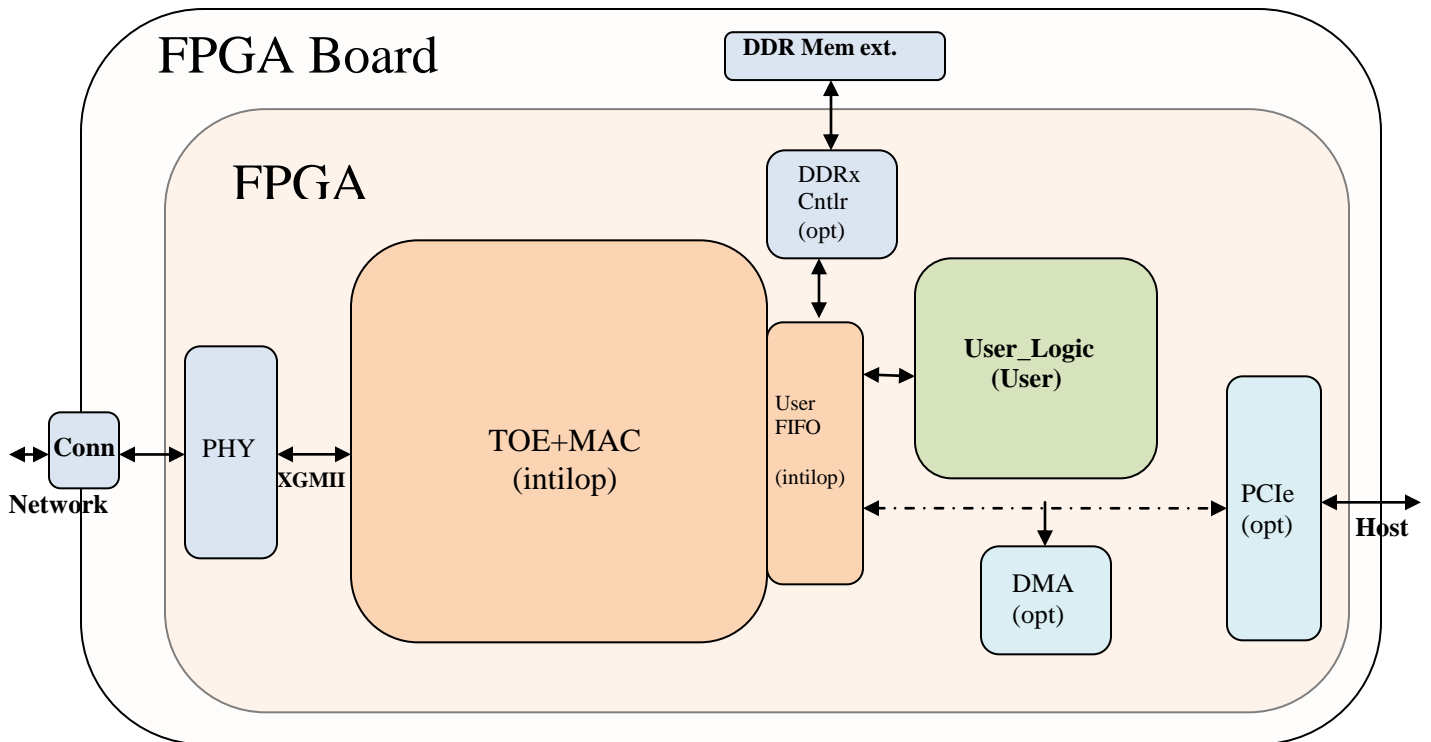
10 G Bit TCP Offload Engine (TOE) - SX- Fully Integrated FPGA board



10G TCP Offload Engine + EMAC (Simplified Block Diagram)

- Standard TOE
- TOE Options
- User Design

10 G Bit TCP Offload Engine (TOE) - SX- Fully Integrated FPGA board



**FPGA Board System with fully integrated and tested;
PHY+MAC+TOE+Host_IF, available on select boards from intilop board partners**

Contact: info@intilop.com for more details

Board and FPGA Specifications available at:

FPGA Vendors: www.Altera.com

www.Xilinx.com

Board Vendors: www.bittware.com

www.hitechglobal.com

www.Nallatech.com

www.plda.com

www.terasic.com

10 G Bit TCP Offload Engine (TOE) - SX- Fully Integrated FPGA board

Deliverables:

- FPGA board/Project files.
- IP NetList.
- System Networking test software.
- Test Bench, ,vcd files, configuration code/API for easy Linux port
- Verilog models for various components e.g. TCP/IP Client and Server models, transaction model (optional)
- External memory interface/model (optional).
- TCP Model (optional)
- Verification suite (optional)
- Test packet-traffic suite (optional)

CONTACT: info@intilop.com for latest System Specifications

Full FPGA Solutions License Purchasing Options:

- **Fully Integrated/Ported IP cores and Network tested FPGA development System Platform with specified interface options**
- **IP Customization and Customer Hardware and or Application Software integration services.**

Contact sales@intilop.com for details

