

## 10 G Bit TCP Offload Engine (TOE) INT 20011-16K – Hardware IP Core



*Enterprise Class, Network Hardened TCP/UDP Acceleration Technology,  
Globally proven interoperability and rock solid reliability since 2009*

*All Stages of Full TCP Stack in hardware plus more advanced functionality & features e.g. Fragmentation and out-of-sequence packet handling, Duplicate ACK/Fast Retransmit, TCP connection failure auto recovery and more.*

### 10G bit-16K Sess TCP+UDP Offload Engine + MAC + Host\_IF

*Series of TCP & UDP Accelerators in one single core with following product options:*

*16K Sess = INT 20011-16K (Ultra-Low Latency SXTOE)*

*8K Sess = INT 20011-8K (Ultra-Low Latency SXTOE)*

*1K Sess = INT 20011-1K (Ultra-Low Latency SXTOE)*

*512 Sess = INT 20011-512 (Ultra-Low Latency SXTOE)*

## IP Cores for FPGAs and SoCs

### Top Level Product Specifications

#### ***GOLD STANDARD IN TCP & UDP ACCELERATION***

Intilop does not assume any liability arising out of the application or use of any product described or shown herein; nor does it convey any license under its patents, copyrights, or design work rights or any rights of others. Intilop reserves the right to make changes, at any time, in order to improve functionality, performance, supportability and reliability of this product. Intilop will not assume responsibility for the use of any code described herein other than the code entirely embodied in its own products or developed under a legally binding contract. Intilop provides design, code, or information shown or described herein "as is." By providing the design, code, or information as one possible implementation of a feature, application, or standard, Intilop makes no representation that such implementation is free from any claims of infringement. End users are responsible for obtaining any rights they may require for their implementation. Intilop expressly disclaims any warranty whatsoever with respect to the adequacy of any such implementation, including but not limited to any warranties or representations that the implementation is free from claims of infringement, as well as any implied warranties of merchantability or fitness for a particular purpose.

Intilop will not assume any liability for the accuracy or correctness of any engineering or software support or assistance provided to a user. Intilop products are not intended for use in life support appliances, devices, or systems. Use of Intilop's product in such applications without the written consent of the appropriate executive of Intilop is prohibited.

## 10 G Bit TCP Offload Engine (TOE) INT 20011-16K – Hardware IP Core

### Product brief, features and benefits summary:

**Highly customizable hardware IP block. Easily portable to ASIC flow, Xilinx/Altera FPGAs or Structured/ASIC flow.**

***Seventh Generation TOE and System Solutions provide ‘Ultra-Low Latency’ and Ultra-High Performance with highest TCP bandwidth in Full Duplex. Network Tested and mature TCP protocol offload implementation -All stages of Full TCP stack implemented in High performance hardware***

- Ultra-Low Latency through 10 G TOE = less than 100 ns
- Ultra-High Throughput: Receives and Sends sustained large TCP payloads, depending upon remote server/client’s capability.
- Fully Integrated and tested on Altera/Xilinx FPGAs; TOE+MAC+Host\_I/F SoC IP bundle

**INT 20011 is the only SOC IP Core that implements a full 10G bit TCP Stack in Handcrafted, Ultra-Low latency and High Performance, Innovative, Flexible and Scalable architecture which can also be easily customized for end product differentiation. It provides the lowest latency and highest performance in the industry. No exceptions.....**

**INT 20011 is the only SOC that integrates 10G TOE + 10 GEMAC + Host interfaces in the smallest logic footprint. It is highly flexible that is customizable for layer-3, layer 4-7 network infrastructure and network security systems applications. It is recommended for use in, among others, high performance Cloud Servers, Web Servers, Application servers, NICs, SAN/NAS and data center equipment design applications. It provides key IP building blocks for very high performance 10-Giga bit Ethernet ASIC/ASSP/FPGAs.**

**INT 20011 has built in advanced architectural flexibility that provides capability for enterprises to differentiate their Network security and Network infrastructure appliances from others and customize them for their specific design application.**

**INT 20011 can process TCP/IP sessions as client/server in mixed session mode for Network equipment and in-line network security appliances, simultaneously, at 10-G-bit rate. This relieves the host CPU from costly TCP/IP software related session setup/tear down, data copying and maintenance tasks thereby delivering 10x to 20x TCP/IP network performance improvement when compared with TCP/IP software.**

**INT 20011 also implements IGMP V1/V1/V3 protocol processing in hardware across all sessions. Available as an option to save BRAM and logic resources.**

## 10 G Bit TCP Offload Engine (TOE) INT 20011-16K – Hardware IP Core

Intilop offers a wide range of Full TOE processing hardware cores for 10-GE to 1-GE applications. Use of PCI Express or embedded system interface is optional. TOE products support full TCP offload as well as conventional NIC mode operation (as an option in TCP Bypass Mode. The 10 G Bit TOE is based upon the proven and mature patent pending architecture from Intilop corporation.

### TOE's design versions-

#### • Generic TOE for Network infrastructure design applications:

- a) 16384 Session with Payload FIFO of 8/16/32 K bytes
- b) 8192 Session with Payload FIFO of 8/16/32 K bytes
- c) 1024 Session with scalable Payload FIFO of 8/16/32 K bytes.
- d) 512 Session with scalable Payload FIFO of 8/16/32 K bytes
- e) Optional Very high performance DMA blocks also available to integrate with high performance PCIe Gen 2/3 interface.
- f) PCIe/Driver for Linux available as option

#### • TOE with enhanced Security features (available upon request)

- a) All of the options available in Generic TOE plus;
  - i. Protocol filter block can selectively direct traffic for any known application level protocol to any selected MAC port; e.g. all IM/chat traffic, SMTP (email), Web(http) traffic, VoIP etc. can be filtered and directed to selected ports.
  - ii. IP and Port number filter block
  - iii. Specific IP and Port Filtered traffic routed to optional selected MAC interface/s or PCIe interface or Memory interface directly at line rate without CPU involvement.
  - iv. MAC Filter block, traffic routed to any of the selected interfaces

### Benefits of Intilop TOE:

Featuring APIs at different levels the General TOE allows the application developer to easily migrate from software, to TOE hardware, to custom hardware, to achieve higher performance.

Advantages and benefits:

- 20G full duplex Throughput
- Very low application to application latency

### APIs

Network applications use the Socket API. Typically OS implements the Socket API with a TCP/IP software stack. However, the Intilop TOE implements a standard Hardware API that bypasses the Kernel, places the user\_payload data directly in user\_space allowing next higher level applications to fully take advantage of TOEs full hardware Offload benefits.

## 10 G Bit TCP Offload Engine (TOE) INT 20011-16K – Hardware IP Core

Optionally, to achieve higher performance, Intilop has implemented an equivalent Socket API named TOE Socket API through PCIe driver which enables plug and play acceleration through a simple intercept of legacy standard calls.

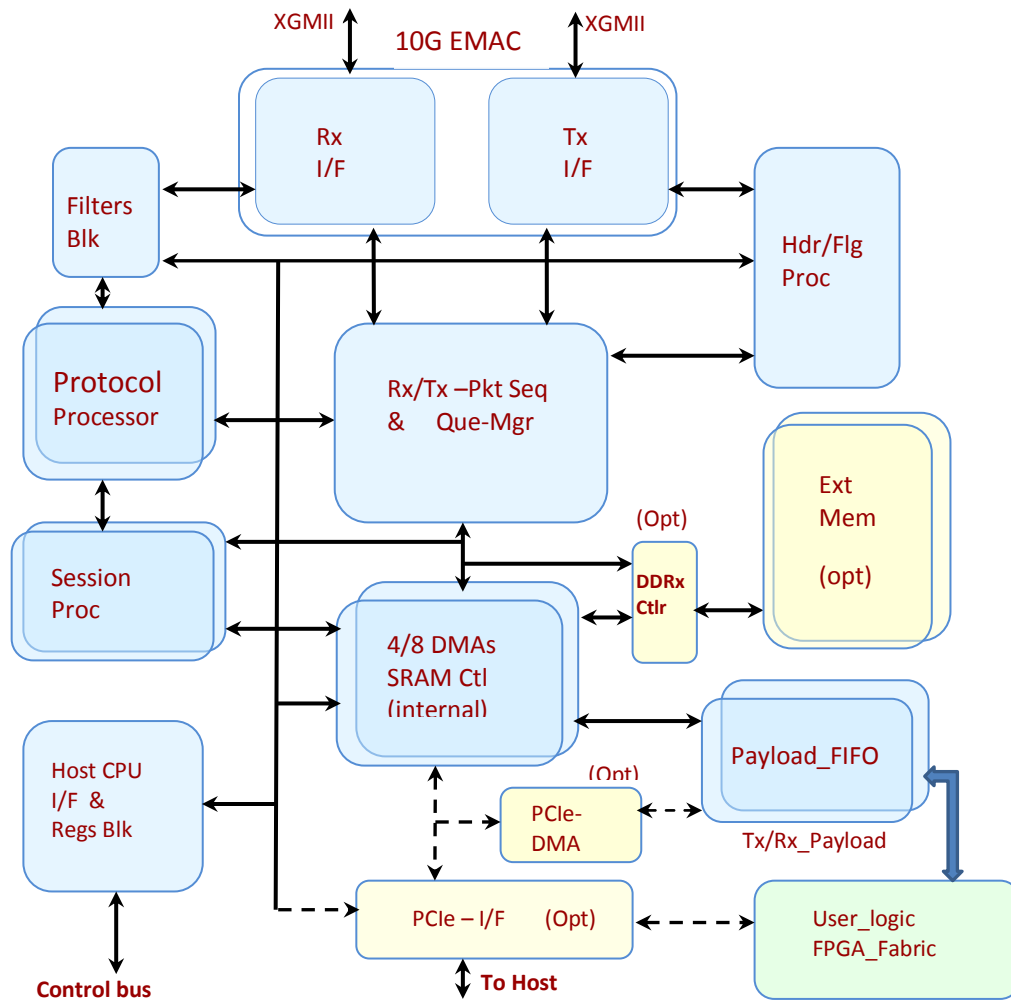
- Hardware API: Enables dedicated processing in the FPGA for application specific acceleration
  - Ideal for Very high performance specialized, differentiable ASICs or FPGAs for Network security or Network infrastructure applications
  - Fully verified using comprehensive verification methodology for ASIC ports and Network system tested core.
  - Smallest logic foot print; less than 30,000 Xilinx slices, Altera ALMs or 250,000 ASIC gates + on-chip memory
  - Fully integrated 10 G bit high performance Ethernet MAC.
  - Scalable MAC Rx FIFOs and Tx FIFOs make it ideal for optimizing system performance.
  - Hardware implementation of TCP/IP stacks' control plane and data plane.
  - Hardware implementation of ARP protocol processing.
  - Extended ARP table creation, deletion management (optional)
  - Adheres to RFCs; 793, 1500, 1700, 813, 791, 2001
  - Fast Retransmit or Duplicate ACKs
  - Bypass mode (Acts as a NIC)
  - Hardware implementation of ICMP or Ping processing (opt)
  - Packet fragments and Out of Sequence packet handling
  - 'Sliding Window'. Similar mechanism implemented in hardware allowing Flow Control
  - 'Slow start' transfer control in hardware (opt)
  - Customizable for IP-protocol only.
  - Non-TCP Bypass mode lets all Non TCP/IP related traffic go directly to host interface via User\_FIFO for TCP/IP software to handle
  - Can be deployed behind a gateway which will respond to Gateway-IP request as opposed to ARP request
  - On-chip DDR or SSRAM memory controller which can address from 4K Bytes to 4 MB Bytes on chip or 256 MB off chip memories (optional)
  - Simple User Side interface for easy hardware integration or a little more complicated for more power full and controlled 'Streaming' data transfers.
  - Many trade-offs for some functions performed in hardware or software

## 10 G Bit TCP Offload Engine (TOE) INT 20011-16K – Hardware IP Core

- Configurable Packet buffers, session table buffers On-chip or Off-chip memories, attached DDR I/II interface. Depending on system, performance, ASIC/FPGA size requirements
- Interfaces directly to XGMII, 10 G Bit serial interfaces
- Customizable to handle jumbo frames
- Integrated PLB interface (Xilinx) or Altera PLB. AXI bus interface available
- Integrated AMBA 2.0 interface or MIPs CPU bus for Local Processor control. (opt)
- User programmable/prioritize-able interrupts
- Performs connection/session management
- Monitors, Stores, Maintains and processes up to 1024 live TCP sessions. Customizable to implement more, depending upon on-chip memory availability and other FPGA limitations.
- Extendable to 4K TCP sessions. Internal Memory dependent.
- Wire-speed 20-Gbps Ethernet and TCP performance in full duplex
- Multiple TOEs can process up to 4K connections per second
- TCP + IP check sum generation and check performed in hardware in less than 6 clks (30 ns at 200 MHz) vs 1-2 us by typical software TCP-stack
- IGMP V1/V2/V3 support (opt)
- Connection Set up, tear down/termination and TCP data transfer without CPU involvement.
- User programmable Session table parameters
- Dedicated set of hardware Timers for each TCP/IP session (opt) or customizable for sharing one set of common timers for all stale sessions.
- Multiple 'slot storage' for fragmented packets. More slots allocated when more On-chip Memory available. Self-checking available memory logic. (optional)
- Out of sequence packet detection/storage and Reassembly/Segmentation (optional)
- Direct Data placement in Applications buffer at full wire speed without CPU-> reduces CPU's buffer copy time and utilization by 95%
- Support VLAN mode
- Easily customizable for filtering various IP and TCP traffic Protocols, directed towards any port or IP (Ideal for security appliances)
- Implements Full TCP/IP Offload. No CPU involvement at any TCP stage
- Future Proof- Flexible implementation of TCP Offload
- Fully integrated and FPGA ported PHY+MAC+TOE+PCIe/DMA System (opt)

# 10 G Bit TCP Offload Engine (TOE) INT 20011-16K – Hardware IP Core

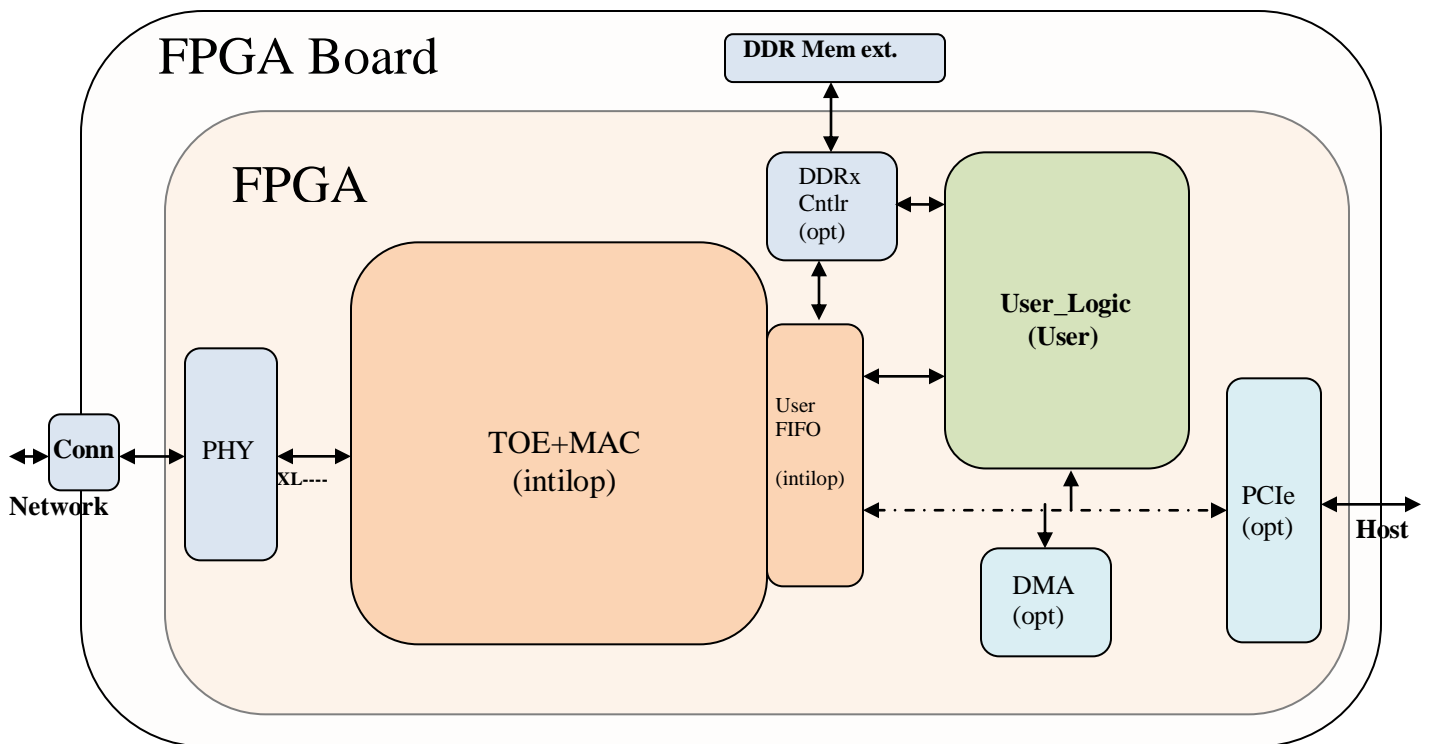
- Basic mini API available for easy integration with Linux/windows. Others OSs/CPU's also available
- Fully integrate System with PCIe/DMA and driver (optional)
- EMAC+TOE+Host\_Interface as one bundle SoC.
- Future TCP Specs updates easily adaptable



**10G TCP Offload Engine + EMAC (Simplified Block Diagram)**

- Standard TOE
- TOE Options
- User Design

## 10 G Bit TCP Offload Engine (TOE) INT 20011-16K – Hardware IP Core



**FPGA Development System with fully integrated and tested; PHY+MAC+TOE+PCIe/DMA/Driver available as an option**

### *Specifications brief:*

- Fourth Gen-TOE. TCP Protocol Compliance and functionality proven in multiple networking equipment
- Complete header, flag processing of TCP/IP sessions and TCP Payloads in hardware → accelerates by 10x – 20x
- TCP Offload Engine- 10-G b/s Wire-speed performance
- TCP + IP check sum- hardware
- All Retries implemented and managed by TOE without CPU involvement.
- TCP segmentation/reassembly in hardware
- Multiple ‘slot storage’ for fragmented packets (opt)
- Out of sequence packet detection/storage/Reassembly(opt)
- TCP port address tracking/automatic DMA
- MAC Address search logic/filter (opt)
- IP address search logic/filter (opt)
- Accelerate security processing, Storage Networking- TCP
- Direct Payload Data placement in Applications buffer in FPGA

## 10 G Bit TCP Offload Engine (TOE) INT 20011-16K – Hardware IP Core

--> reduces CPU utilization by 95+ %

- **Future Proof- Flexible implementation of TCP Offload**
- **Accommodates future Specifications changes.**

### AMBA/PLB/AXI CPU interface features;

- Basic transfers
- Various Transfer types
- Bus slave transactions
- Address decoder
- Bus Arbiter
- System Endianness: Little-Endian
- Master/slave Bus Arbitration (optional)

### Deliverables:

- NetList. All TCP and or UDP configuration files, FPGA libs and many more
- Test Bench, ,vcd files, configuration code/API
- Verilog models for various components e.g. TCP/IP Client and Server models, transaction model (optional)
- External memory interface/model (optional).
- TCP Model (optional)
- Verification suite (optional)
- Test packet-traffic suite (optional)

### ***CONTACT INTILOP FOR LATEST SPECIFICATIONS***

*(Specifications are subject to change)*

### Technology and Solutions License Purchasing Options:

- **IP Core in Netlist form.**
- **Fully ported and Network tested FPGA development Platforms**
- **IP Customization and Customer Hardware and Application Software integration services.**
- **Development Platforms available with boards from several board partners like Nallatech, Bittware, PLDA, HiTech Global, Terasic and more.**

*Contact intilop sales for details: [info@intilop.com](mailto:info@intilop.com)*

